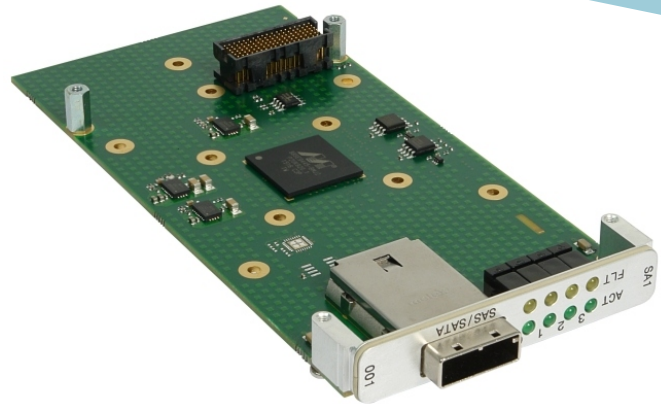


Quad SAS/SATA Port XMC Adapter



APPLICATIONS

XM SA1/001 is an XMC module with the capability to connect to 4 external SAS or SATA drives via a convenient front panel connector. XM SA1/001 supports up to 6 Gbps drives and is also compatible with lower speed drives for in-field flexibility. It is suitable for use with XMC host boards including VPX™, VME, VXS™ and CompactPCI® formats. The XM SA1/001 requires a PCI Express® 2.0 x4 link for best performance

but can operate with other link widths and speeds if required. It is designed for any application that requires additional storage channels via the front panel within the telecommunications, scientific, security and defense markets. Application examples include data recorders, database management and video security systems.

HIGHLIGHTS

- XMC adapter design provides four SAS/SATA ports:
 - SAS/SATA interface speeds up to 6 Gbps
 - Accessed via front panel mini SAS 4X connector (SFF-8088)
 - front panel LED activity indicator per port
- XMC (Switched Mezzanine Card) format:
 - single size CMC (Common Mezzanine Card)
 - x1, x2 or x4 PCI Express® (Gen 1 and Gen 2) interface
- For use with VME, VXS™, VPX™ and CompactPCI® and other XMC host boards:
 - VPWR is not utilized
- Supported by Linux® and Windows®

Quad SAS/SATA Port Adapter

- XMC adapter design provides four SAS/SATA ports:
 - transfer speeds of 1.5, 3.0 and 6.0 Gbps
 - allows mixing of SAS and SATA storage devices
 - RAID mode is not supported
- implemented using a Marvell 88SE9445 PCI Express® to SAS/SATA controller
- ports accessed via front panel mini SAS 4X connector (SFF-8088) which supports several widely available cabling options for storage device connectivity:
 - front panel LED activity indicator per port

XMC Interface

- complies with VITA 42.0 and VITA 42.3
- PCI Express (PCIe®) to SATA 3.0/SAS 2.0 controller
- complies with PCI Express Protocol Specification 2.0 including:
 - x1, x2 or x4 PCI Express interface
 - supports Gen 1 and Gen 2

BIOS EEPROM

- two 4Mbit SPI Flash EEPROMs to allow optional support of BIOS firmware which provides OS boot on Intel® processor based host boards
- in-circuit programmable

Software

- supported by Linux® and Windows®

Electrical Specification

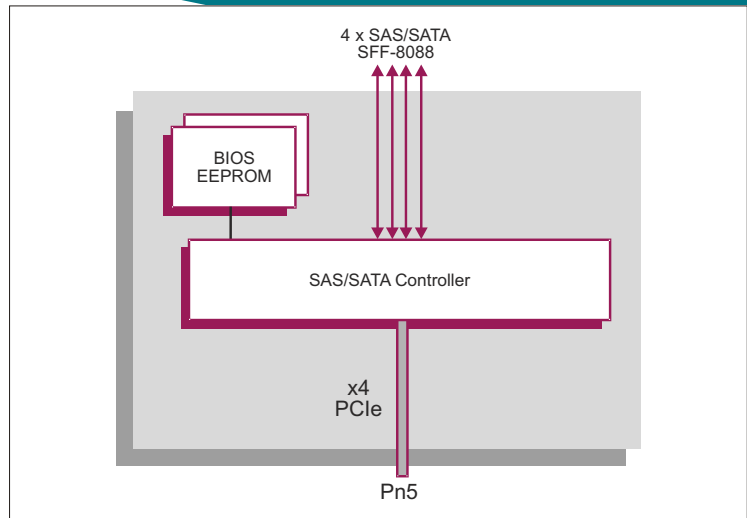
- maximum +3.3V current 1.6A
- +3.3V +5%/-5%
- VPWR is not utilized
- +12V, -12V is not utilized

Environmental Specification

- operating temperature:
 - 0°C to +55°C (N-Series)
- non-operating temperature: -40°C to +85°C
- 5% to 95% Relative Humidity, non-condensing

Mechanical Specification

- single size CMC (Common Mezzanine Card) 74mm x 149mm:
 - conforming to ANSI/VITA 42.0-2008
- 10mm height stack module



ORDERING INFORMATION

Order Number **Product Description (Hardware)**

XM SA1/001-yz Quad SAS/SATA Port XMC Adapter

For the order number suffix (yz) options please contact your local sales office.